

Combined Soft-Start Dump Valve & Remote Operated Dump Valve E09

 = "Most Popular"

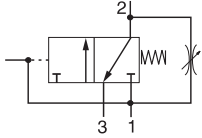
Specifications

Flow Capacity*	1/4	17 SCFM (36 dm ³ /s)
Exhaust Port		1/4
Air Pilot Port		1/8
Port Threads –	NPT or BSPT	1/4
Pressure & Temperature Ratings –		
Solenoid	150 PSIG (10 bar)	122°F (50°C)
Air Pilot	250 PSIG (17 bar)	176°F (80°C)
Minimum Operating Pressure		44 PSIG (3 bar)
Weight		13 oz. (.41 kg)

* Inlet pressure 91 PSIG (6.3 bar). Pressure drop 14.5 PSID (1 bar).

Materials of Construction

Body	Aluminum
Body Cover	Polyester
Seals	Nitrile NBR



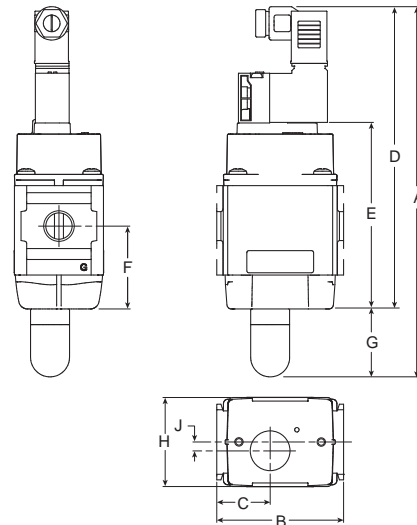
E09-02 -EC00

C

Additional Modular Products

Features

- Modular Design with 1/4" (BSPT or NPT)
- Provides for the Safe Introduction of Pressure
- The 3-way, 2-position Function Automatically Dumps Downstream Pressure on the Loss of Pilot Signal
- 24VDC, 120VAC Solenoid or Air Pilot Versions Available
- Soft Start Fill Rate Easily Adjusted
- Solenoid or Air Pilot Options
- High Flow & Exhaust Capability



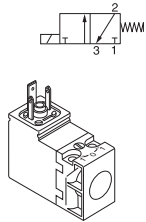
Dimensions

Models	Inches (mm)	A	B	C	D	E	F	G	H	J
Standard Unit E09-02-EC00		6.53 (166)	2.24 (57)	94 (24)	5.35 (136)	3.30 (84)	1.45 (37)	1.20 (30.5)	1.57 (40)	0.15 (4)

= "Most Popular"

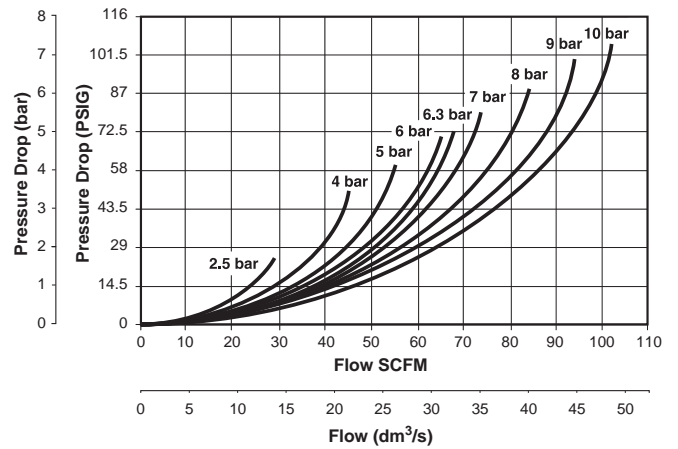
Solenoids 15mm NC, Standard Flow DIN 1.2W / 1.6 VA

Voltage	Weight g	Order code Override, blue, non locking flush
12 VDC	38	P2E-KV32B1
24 VDC	38	P2E-KV32C1
115 VAC 50 Hz/ 120 VAC 60 Hz	38	P2E-KV31F1
230 VAC 50 Hz/ 240 VAC 60 Hz	38	P2E-KV31J1



Flow characteristics

1/4 Soft Start & Dump Valve



Mounting Brackets

Description	Order code
L-Bracket mounting kit	P3HKA00ML
Foot bracket mounting kit	P3HKA00MC

C
Additional Modular Products

Ordering Information

Model Type	Port Size	24VDC Solenoid & Cable Plug	120VAC Solenoid & Cable Plug	Air Pilot Operated
E09	1/4	E092-02-EC00	E092-02-ED00	E09-02-A000

Options - To order an option supplied with the unit model, add the appropriate coded suffix letter in the designated position of the model number.