

# WILKERSON®

Richland, Michigan 49083

FRL-SIF-620

Modular Ball Valve

ISSUED: January, 2015

Supersedes: March, 2010

## Modular Ball Valve V40, V60, V73

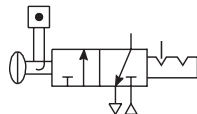


### Features

The Modular Ball Valves provide shut off line pressure with a non-sticking 90° turn handle to prevent unauthorized adjustment. When the inlet pressure is turned off the downstream air pressure vents through the exhaust port. The padlock slide may be assembled on either side. It is recommended that this is assembled after mounting.

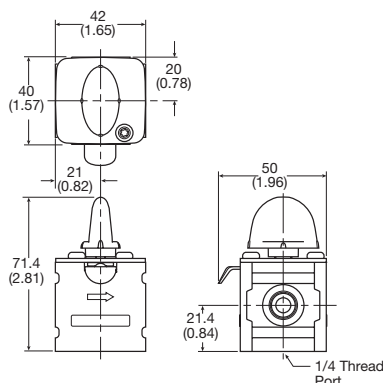
The Safety Lockout valves conform to OSHA #29 CFR part 1910 — control of hazardous energy source (lockout / tagout).

**Note:** This padlock slide is a permanent assembly and may not be removed later

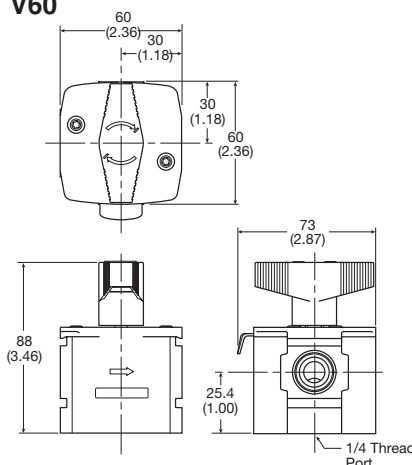


### Dimensions

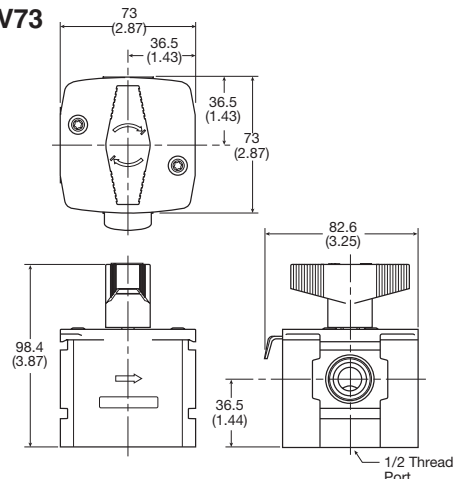
#### V40



#### V60



#### V73



Dimensions are in inches (mm)

### Ordering Information

Model Type	Port Size	Thread Type	Flow SCFM	Modular Ball Valve Flow from left to right
V40	1/4	NPT	42	V40-02-B000B
V60	3/8	NPT	190	V60-03-B000B
	1/2	NPT	258	V60-04-B000B
V73	1/2	NPT	561	V73-04-B000B
	3/4	NPT	678	V73-06-B000B

### Specifications

Operating Temperature	-40°C to 80°C (40°F to 176°F)	
Max. Supply Pressure	17 bar (246 psi)	
Port Size	NPT / BSPP / BSPT	1/4, 3/8, 1/2, 3/4
Weight	V40:	0.15 kg (0.33 lbs)
	V60:	0.36 kg (0.79 lbs)
	V73:	0.55 kg (1.21 lbs)

### Materials of Construction

Body	Aluminum	
Seals	PTFE	
Ball	V40	Brass
	V60 / V73	Chrome plated brass

### Safety Guide

For more complete information on recommended application guidelines, see the Safety Guide section of Pneumatic Division catalogs or you can download the **Pneumatic Division Safety Guide** at: [www.wilkerсонcorp.com](http://www.wilkerсонcorp.com)