

# 16/26 SERIES

COMPACT & STANDARD MODULAR  
AIR PREPARATION SYSTEMS



**WILKERSON®**

# WILKERSON FILTERS, REGULATORS AND LUBRICATORS



**F26  
Filter**



**R26  
Regulator**



**L26  
Lubricator**



**M16  
Coalescing Filter**



**CB6  
Filter/Regulator  
with Optional Gauge**



**CB7  
Filter/Regulator-Lubricator**



**CB6  
Filter/Regulator**

# ACCESSORIES & OPTIONS



## Bowls

Integral plastic bowl and metal bowl guards with quick disconnect safety latch are standard and suitable for most applications. Metal bowls are also available with or without integral liquid-level indicator. Metal bowls are recommended where materials or temperatures harmful to plastic bowls are present.



## Modular Manifold Blocks

Multiported manifold blocks for increased design flexibility. Manifold blocks can be installed either after the filter or regulator, providing three additional 1/4 G tapped auxiliary ports. Inlet/outlet ports are nonthreaded.

## Modular Sleeve with and without Mounting Brackets

Our unique modular sleeve design easily and quickly connects one or more units and accessories together without pipe nipples. Hand tightening the threaded pin provides a tight seal between units. Brackets are designed for mounting a single unit or combination of units directly to a flat surface. The brackets prevent excessive unit vibration or sag in the air supply line.



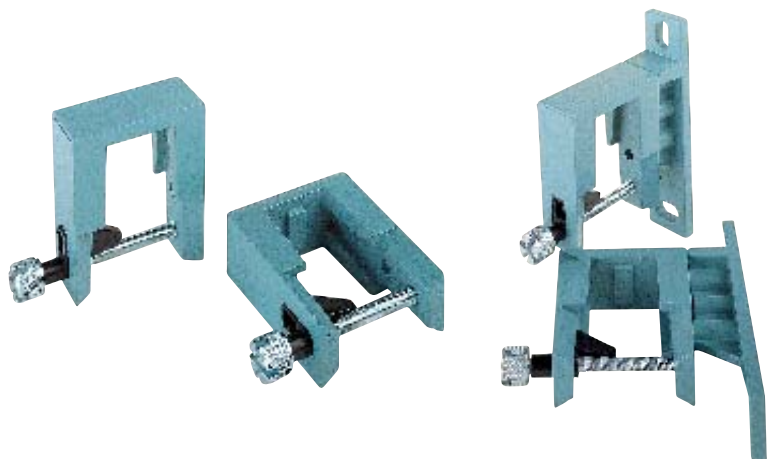
## Filter Elements

### F Series

Standard 5 micron rated depth-type element provides superior removal of solid particles and bulk liquids.<sup>1</sup>

### M Series

Standard 0.01 micron coalescing filter element for high efficiency removal of water and oil aerosols and solid particulate contaminants down to 0.01 ppm/wt at 86°F. Our Type-B 0.5 micron filter element is available as an option.<sup>2, 3</sup>



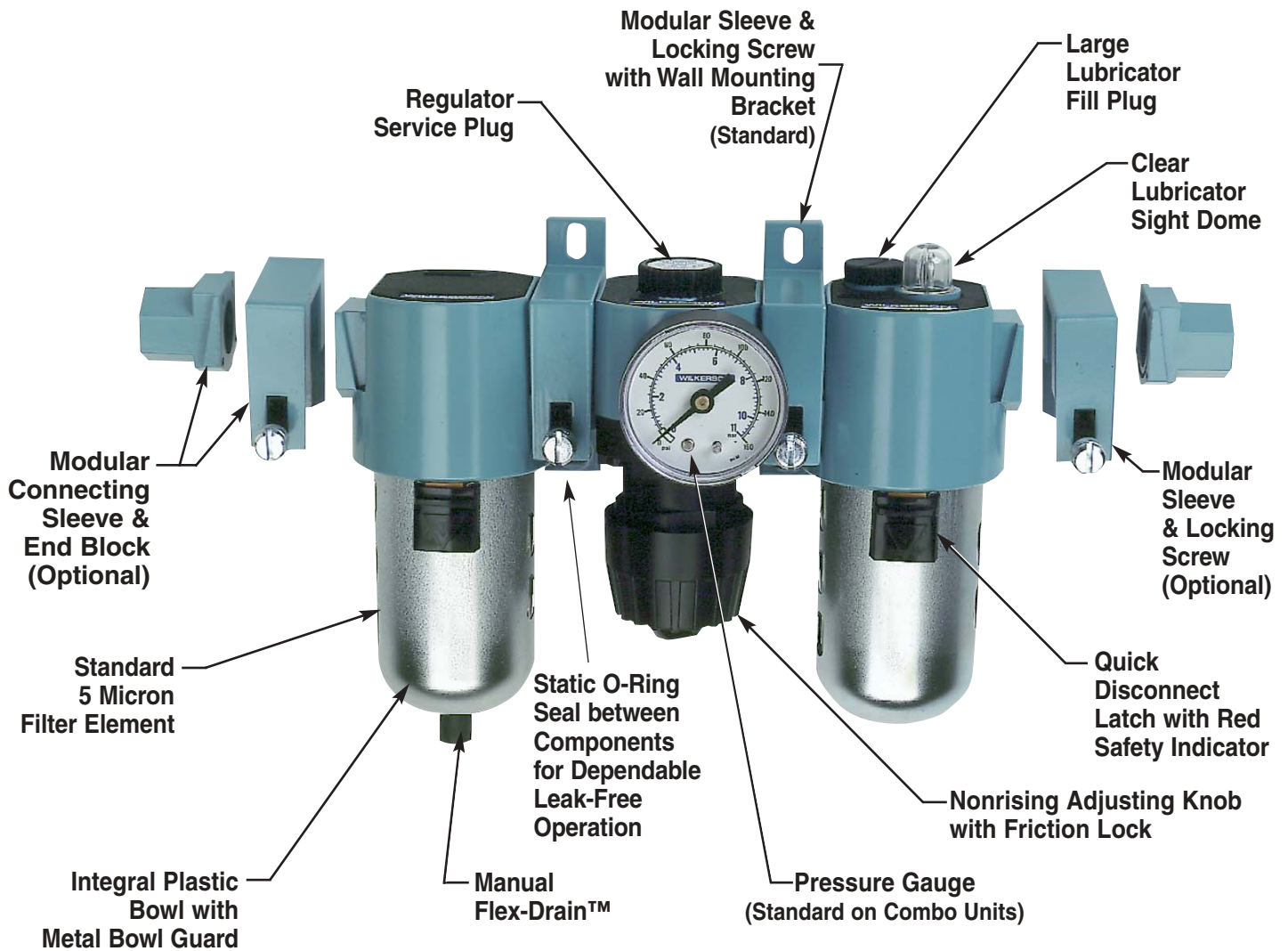
1 "F" Series Filters, Type "A" 5 micron elements: All Wilkerson Type "A" 5 micron elements meet or exceed ISO Class 3 for maximum particle size and concentration of solid contaminants.

2 "M" Series Coalescing Filters, with Type "B" 0.5 micron elements: All Wilkerson Type "M" Oil Removal (Coalescing) Filters with Type "B" 0.5 micron elements exceed ISO Class 2 for maximum particle size and concentration of solid contaminants, and exceed Class 3 on maximum oil content (ppm/wt).

3 "M" Series Coalescing Filters, with Type "C" 0.01 micron elements: All Wilkerson Type "M" Oil Removal (Coalescing) Filters with Type "C" 0.01 micron elements exceed ISO Class 1 for maximum particle size and concentration of solid contaminants, and exceed Class 1 on maximum oil content (ppm/wt).

NOTE: All classes above refer to International Standard Organization (ISO) standard 8573-1:1991(E), pertaining to maximum particle size and concentration of solid contaminants, and maximum oil contents.

# MODULAR 16/26 SERIES



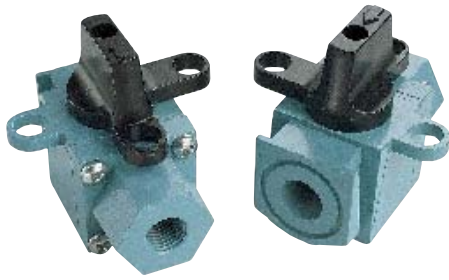
## Modular Combination Unit

(C16 Shown with optional modular connecting end blocks and sleeves)

### Filter/Regulator/Lubricator Features

- Compact flexible design.
- Easy to service.
- Inlet/outlet ports tapped in 1/4 G, G 3/8, or G 1/2.
- Manual Flex-Drain™ standard — Automatic Mechanical Drain optional.
- Quick disconnect integral plastic bowl with metal bowl guard and safety warning latch.
- Standard 5 micron filtration.
- Balanced regulator valve design for superior regulation characteristics.
- Excellent regulator flow characteristics with minimal pressure droop.
- Lubricator can be filled while under pressure (L16, L26 EconoMist™ units).
- Variable Flow-Guide™ orifice maintains constant oil-to-air ratio, regardless of air flow.
- The 16 and 26 Series use the same Modular Sleeve and locking screw, allowing ease of maintenance and flexibility in installation.

# ACCESSORIES & OPTIONS



## Safety Shut-off, Lock-out Valves

Exhaust-type safety valves can be installed immediately upstream of a F-R-L unit. The ball-type valve operates with a 1/4 turn from open to shut position.

The valve exhausts downstream pressure when in the closed position. Particularly useful for isolation and depressurizing a downstream component requiring maintenance or replacement.

*EN 983 1996 Safety of machinery-  
Safety requirements for fluid power systems  
and their components – Pneumatics*



## Modular Connection End Blocks

Threaded end blocks are available in five G 1/4, G 3/8, G 1/2, G 3/4, G 1) pipe sizes.

The modular sleeve allows a single unit or a combination of units to be piped into the air system in the modular mode. This feature allows ease of unit servicing or replacement without disturbing the air line connections.



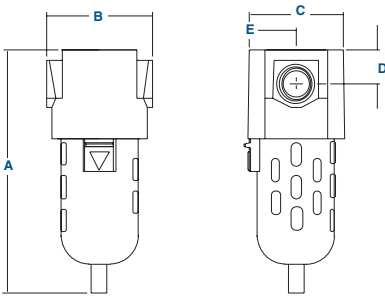
## Drains

### Automatic Mechanical Drain

This optional drain operates under compressed air pressures ranging from a minimum of 1 bar to a maximum 14 bar and 80°C maximum operating temperature. (Applications above 10 bar or 50°C require the use of metal bowls.)

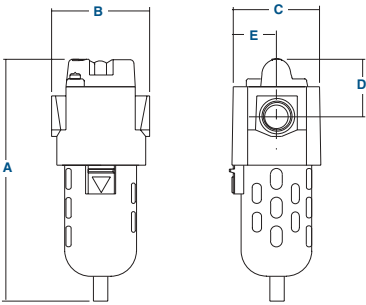
### Manual Flex-Drain™

Simply pushing the rubber tip to one side will drain the bowl. It shuts off automatically when released (standard).



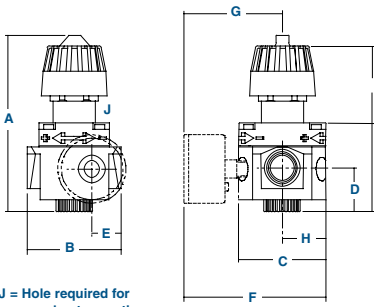
**Dimensions**

Models	mm	A	B	C	D	E
Compact Unit F16-XX-000		165	76	66	25.4	33
Standard Unit F26-XX-000		188	84	76	25.4	38



**Dimensions**

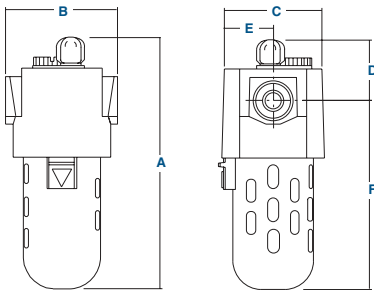
Models	mm	A	B	C	D	E
Compact Unit M16-XX-000		190	76	66	46	33
Standard Unit M26-XX-000		208	84	76	48	38



J = Hole required for panel nut mounting

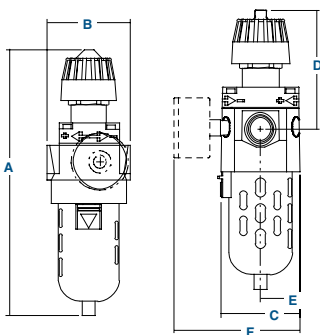
**Dimensions**

Models	mm	A	B	C	D	E	F	G	H	J
Compact Unit with Gauge R16-XX-000	132	76	66	30	26	109	71	331	33	
Standard Unit with Gauge R26-XX-000	165	85	79	34	29	122	80	40	48	



**Dimensions**

Models	mm	A	B	C	D	E	F
Compact Unit L16-XX-000 & L17-XX-000		169	76	66	41	33	128
Standard Unit L26-XX-000 & L27-XX-000		179	85	78	41	39	139



**Dimensions**

Models	mm	A	B	C	D	E	F
Compact Unit CB6-XX-000		238	76	67	100	34	106

**NOTE:** 33.3 mm hole required for panel nut mounting

# MODULAR 16/26 SERIES

## SPECIFICATIONS AND ORDERING DATA

Model	Description	Pipe Size G	Max. Flow dm <sup>3</sup> /s	Max. inlet pressure bar*	Max. Temp °C	Bowl Capacity cm <sup>3</sup>	Height mm	Width mm	Shpg. Weight kg	
<b>COMPACT SIZE "16" SERIES</b>										
F16-C2-000	Filter	1/4	30	10	50	81	165	76	0,8	
F16-C3-000	Filter	3/8	35	10	50	81	165	76	0,8	
F16-C4-000	Filter	1/2	38	10	50	81	165	76	0,8	
M16-C2-S00	Coalescing Filter	1/4	18	10	50	81	191	76	0,8	
M16-C3-S00	Coalescing Filter	3/8	21	10	50	81	191	76	0,8	
M16-C4-S00	Coalescing Filter	1/2	22	10	50	81	191	76	0,8	
R16-C2-000	Regulator	1/4	34	21	80	—	132	76	0,77	
R16-C3-000	Regulator	3/8	38	21	80	—	132	76	0,77	
R16-C4-000	Regulator	1/2	42	21	80	—	132	76	0,77	
L16-C2-000	Lubricator	1/4	17	10	50	148	169	76	0,8	
L16-C3-000	Lubricator	3/8	28	10	50	148	169	76	0,8	
L16-C4-000	Lubricator	1/2	30	10	50	148	169	76	0,8	
C16-C2-E00	Filter-Regulator-Lubricator	1/4	17	10	50	81/148**	182	227	3,3	
C16-C3-E00	Filter-Regulator-Lubricator	3/8	28	10	50	81/148	182	227	3,3	
C16-C4-E00	Filter-Regulator-Lubricator	1/2	30	10	50	81/148	182	227	3,3	

### STANDARD SIZE "26" SERIES

F26-C2-000	Filter	1/4	38	10	50	95	188	84	1,3
F26-C3-000	Filter	3/8	56	10	50	95	188	84	1,3
F26-C4-000	Filter	1/2	71	10	50	95	188	84	1,3
M26-C2-S00	Coalescing Filter	1/4	26	10	50	52	208	84	1,1
M26-C3-S00	Coalescing Filter	3/8	31	10	50	52	208	84	1,1
M26-C4-S00	Coalescing Filter	1/2	38	10	50	52	208	84	1,1
R26-C2-000	Regulator	1/4	53	21	80	—	165	85	1,34
R26-C3-000	Regulator	3/8	70	21	80	—	165	85	1,34
R26-C4-000	Regulator	1/2	87	21	80	—	165	85	1,34
L26-C2-000	Lubricator	1/4	17	10	50	296	179	85	1,07
L26-C3-000	Lubricator	3/8	28	10	50	296	179	85	1,07
L26-C4-000	Lubricator	1/2	60	10	50	296	179	85	1,07
C26-C2-E00	Filter-Regulator-Lubricator	1/4	17	10	50	52/296**	207	314	4,7
C26-C3-E00	Filter-Regulator-Lubricator	3/8	28	10	50	52/296	207	314	4,7
C26-C4-E00	Filter-Regulator-Lubricator	1/2	60	10	50	52/296	207	314	4,7

### INTEGRAL FILTER/REGULATOR SERIES

CB6-C2-000	Filter/Regulator	1/4	30,2	10	52	81	238	76	1,1
CB6-C3-000	Filter/Regulator	3/8	33,0	10	52	81	238	76	1,1
CB6-C4-000	Filter/Regulator	1/2	33,0	10	52	81	238	76	1,1
CB7-C2-E00	Filter/Regulator-Lubricator	1/4	17,0	10	52	81/148**	238	152	2,5
CB7-C3-E00	Filter/Regulator-Lubricator	3/8	27,6	10	52	81/148	238	152	2,5
CB7-C4-E00	Filter/Regulator-Lubricator	1/2	30,2	10	52	81/148	238	152	2,5

Units also available with NPT — To order, place "0" in model code position 4, Example: XXX-0X-XXX

\* Plastic Bowl units

\*\* Filter/Lubricator

### ACCESSORIES FOR BOTH SERIES

GPA-95-292	Modular Sleeve	—	—	—	—	—	—	—	0,14
GPA-95-968	Modular Mounting Bracket	—	—	—	—	—	—	—	0,09
GPA-95-969	Modular Sleeve with Mounting Bracket	—	—	—	—	—	—	—	0,24
GPA-95-226	Modular Connection End Block	1/4	—	—	—	—	—	—	0,18
GPA-95-227	Modular Connection End Block	3/8	—	—	—	—	—	—	0,14
GPA-95-228	Modular Connection End Block	1/2	—	—	—	—	—	—	0,14
GPA-95-322	Modular Connection End Block	3/4	—	—	—	—	—	—	0,14
GPA-95-323	Modular Connection End Block	1	—	—	—	—	—	—	0,14
GRP-95-973	Automatic Mechanical Drain	1/8	—	200	175	—	—	—	0,03
GPA-95-918	Manifold Block	1/4***	—	—	—	—	—	—	0,29
GPA-95-099	Shut-off Valve (Lock-out Only)	1/4	—	—	—	—	—	—	0,42
GPA-95-100	Shut-off Valve (Lock-out Only)	3/8	—	—	—	—	—	—	0,44
GPA-95-101	Shut-off Valve (Lock-out Only)	1/2	—	—	—	—	—	—	0,39

\*\*\* 3 Auxiliary Ports

All units manufactured in Englewood, Colorado, U.S.A.

## ***Distributed Worldwide***

Wilkerson offers a complete line of innovative fluid power products with features and operating characteristics that meet customer expectations of quality, performance, reliability and value. Wilkerson representatives are located in most major cities throughout the world with additional manufacturing and sales affiliates in North and South America, Europe, Africa, Asia and the Pacific Rim Basin.

**[www.wilkersoncorp.com](http://www.wilkersoncorp.com)**

# **WILKERSON®**

### **Wilkerson**

Pneumatic Division  
8676 E. M89  
P.O. Box 901  
Richland, MI 49083 USA

### Customer/Technical Service

Tel: (269) 629-2550  
Fax: (269) 629-2475



9CW-TD-193 11/99  
Printed in the U.S.A.

**BUY FROM YOUR LOCAL DISTRIBUTOR**