

Automatic Mechanical Drains

Wilkerson drains are designed to remove liquid oil and water contaminants from compressed air systems automatically.

Liquid contaminants collected in the bowl cause the float mechanism to rise. When the liquid reaches a specific level, the float triggers a mechanism which pilots line pressure against a large-area piston from the drain orifice at line pressure. This action causes the drain orifice to open and evacuate the liquid and particulate contaminants. As the liquid level falls, the pilot valve closes, line pressure against the piston returns to atmosphere, and the drain valve snaps closed.

Wilkerson's model XB3 automatic drain includes the manual override feature shown in the photograph. The manual override option allows for drainage at times when waiting for the system to drain automatically is not desirable.



XB3



Automatic Mechanical Drains

Features and Benefits

- Available in NPT and BSP ports.
- The manual override allows drainage at any time without waiting.
- Use of the manual override does not interfere with the normal operation of the drain.
- To assist in compliance with EPA regulations a 1/8" pipe connection allows the liquid discharge to be piped away.

In addition to the XB3 drain unit, the manual override attachment allows for retrofit capability to any filter or drain models (including X02 models) assembled with Wilkerson's automatic mechanical float drain GRP-95-981, GRP-96-200, GRP-96-300. The override is available as a separate accessory and is easily assembled onto the threaded end of the float drain adding only 1" to the total length of the unit. To operate the override, simply push up on the attachment to drain and pull attachment back down when draining is complete.

Ordering Information

Model No.	Pipe Size	Bowl Capacity	Drain Rate
X02-04-F00	1/2" NPT	5 oz. (.15 L)	80 GPH @ 100 psig (300 l/h @ 7 bar)
X02-C4-F00	1/2" BSP	5 oz. (.15L)	80 GPH @ 100 psig (300 l/h @ 7 bar)
X01-04-000	1/2" NPT	1 qt. (.95 L)	150 GPH @ 100 psig (570 l/h @ 7 bar)
X01-C4-000	1/2" BSP	1 qt. (.95 L)	150 GPH @ 100 psig (570 l/h @ 7 bar)
*XB3-04-000	1/2" NPT	5 oz. (.15 L)	80 GPH @ 100 psig (300 l/h @ 7 bar)
*XB3-C4-000	1/2" BSP	5 oz. (.15 L)	80 GPH @ 100 psig (300 l/h @ 7 bar)

All mechanical drains have 1/8" discharge pipe connection.

*Manual override included.

Description

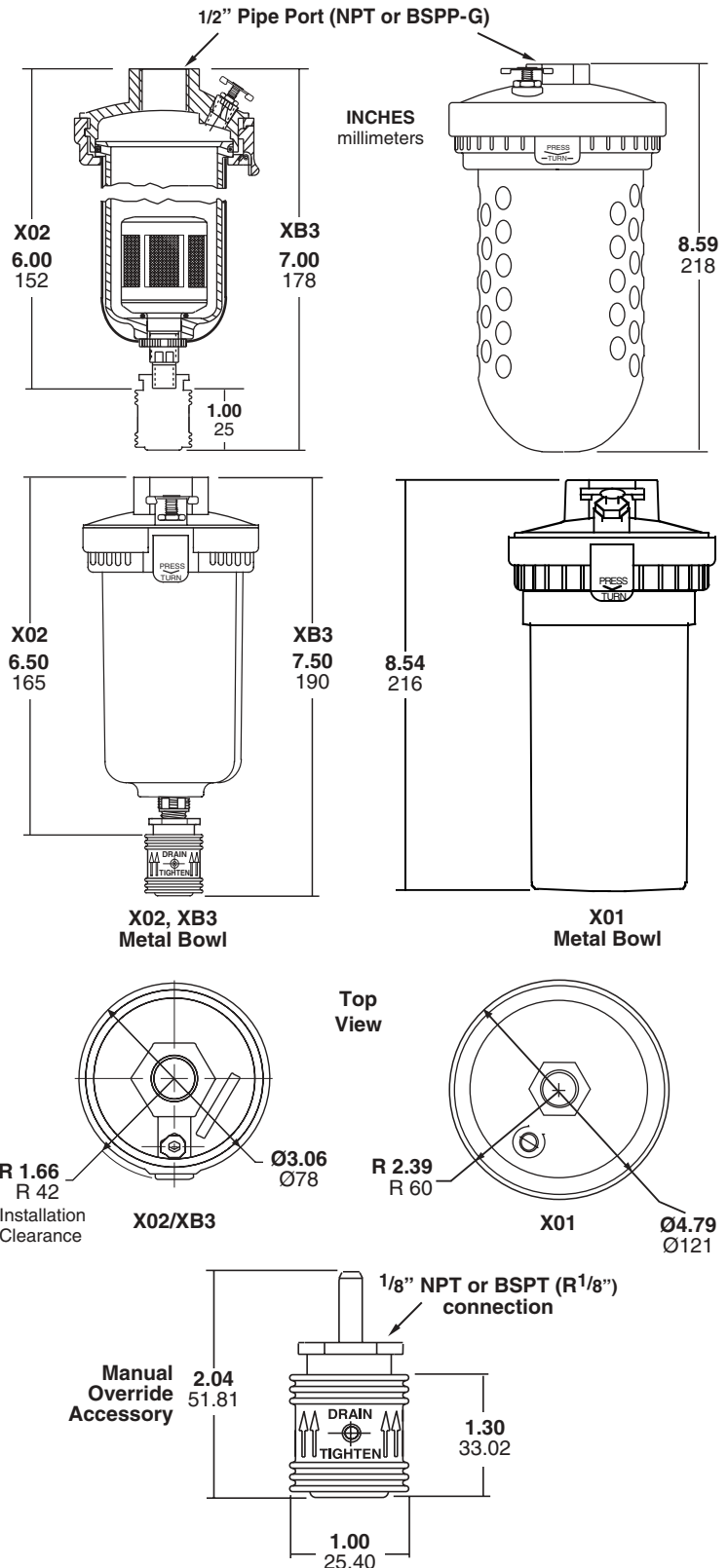
Manual override accessory, 1/8" NPT connection.....**GRP-96-000**
 Manual override accessory, R1/8" BSPT connection....**GRP-96-100**

Operating Conditions

- Transparent Bowl: 150 psig (10 bar) and 125°F (52°C)
- Metal Bowl: 200 psig (14 bar) and 150°F (65.5°C)

Materials of Construction

X01, X02, XB3.....Zinc/Polycarbonate
 Float Assembly.....Plastic with Stainless Steel Internals
 Manual Override.....Brass



WILKERSON®

Wilkerson
 Pneumatic Division
 8676 E. M89 • P.O. Box 901
 Richland, MI 49083 USA

Customer/Technical Service
 Tel: (269) 629-2550 • Fax: (269) 629-2475
 Visit our web site: www.wilkersoncorp.com

Buy From Your Local Wilkerson Distributor

9CW-SD-181 5/01
 Printed in the U.S.A.

